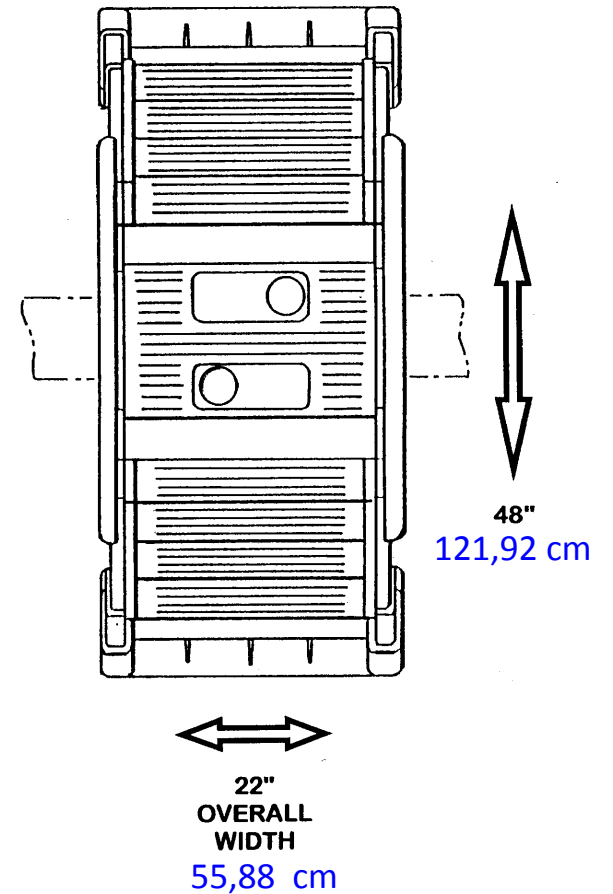
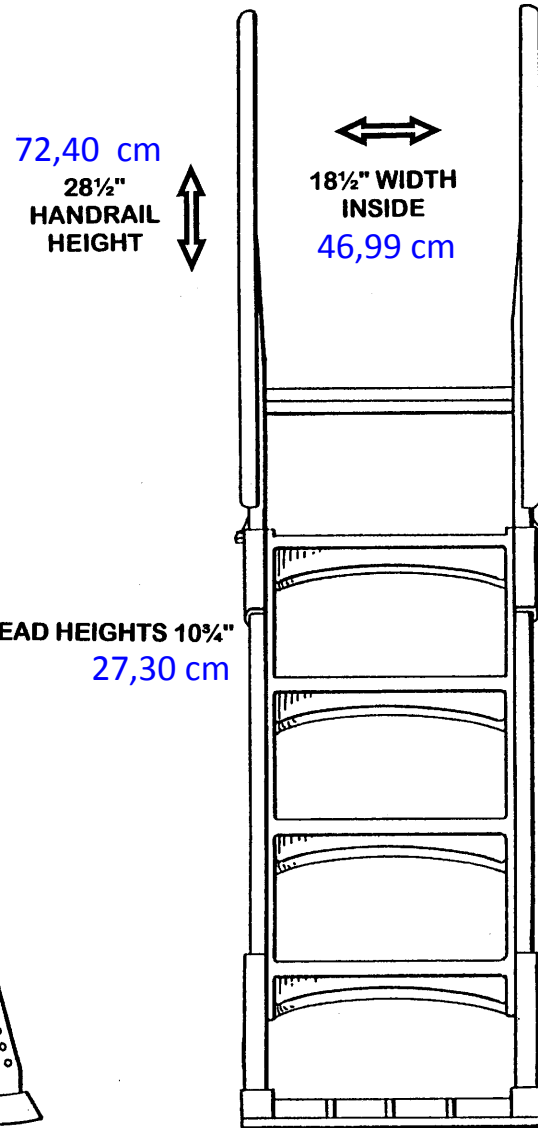
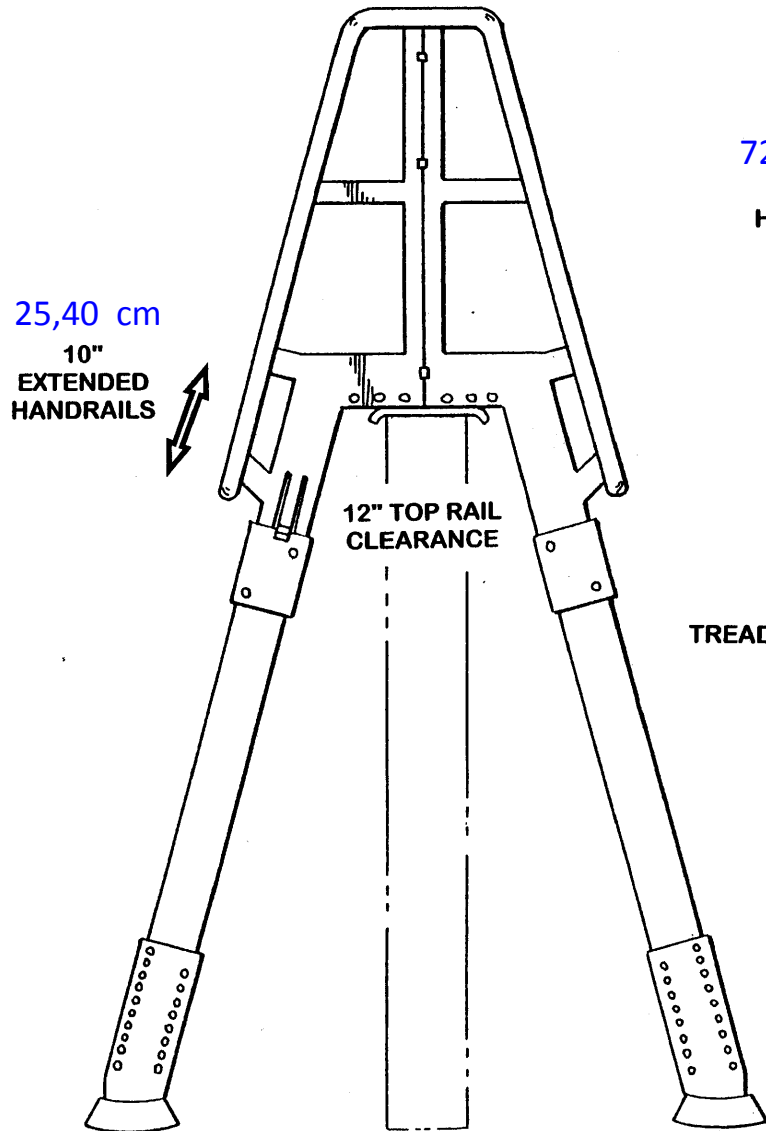


**MODEL SLA "SLIDE-LOCK"
A-FRAME POOL LADDER**



ANTI-ENTRAPMENT BARRIER INCLUDED BUT NOT SHOWN